

Sanisub S ZPK

Equipped with a silicon carbide mechanical seal, Sanisub S ZPK is a cellar pump designed for the evacuation of saline water (maximum salt content 15%), ideal for brine water from softeners and boiler condensate water. Sanisub S ZPK is automatically triggered by its adjustable float.

Available in two versions, Sanisub S ZPK withstands water temperatures of up to 90°C for 5 minutes and can lift water up to 10 m high. It is suitable for removing water with solids from a particle size of 10mm to 30mm depending on the model.



PERFORMANCE

- Total head : 10 m
- Max. flow rate : 10 m³/h

PRODUCT BENEFITS

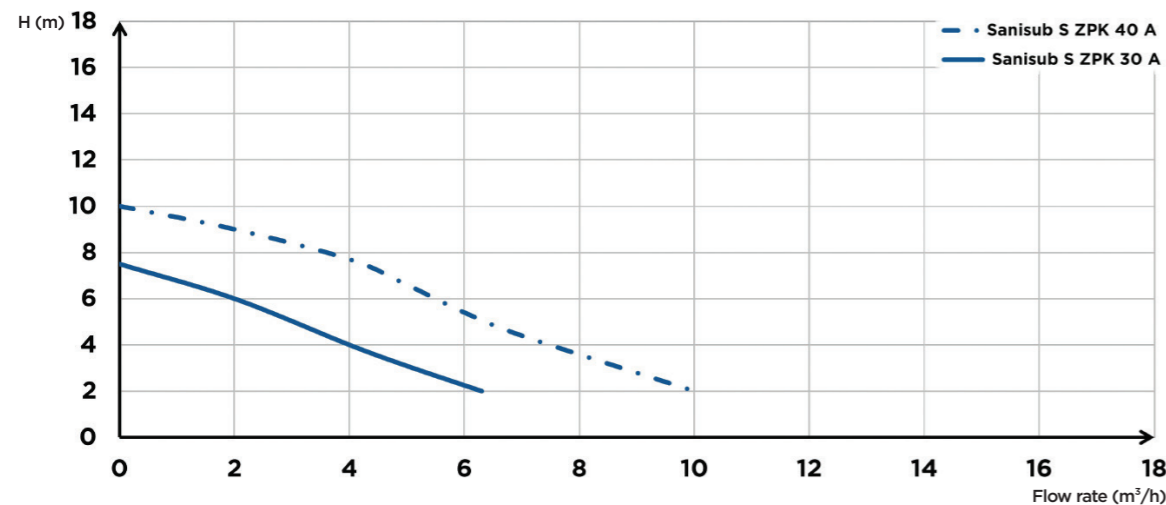
- Discharge of salt water
- Lifting height up to 10 m
- Particle size from 10 mm to 30 mm
- Resistant to hot water up to 90 °C (short periods)
- Adjustable float height

PACKAGING

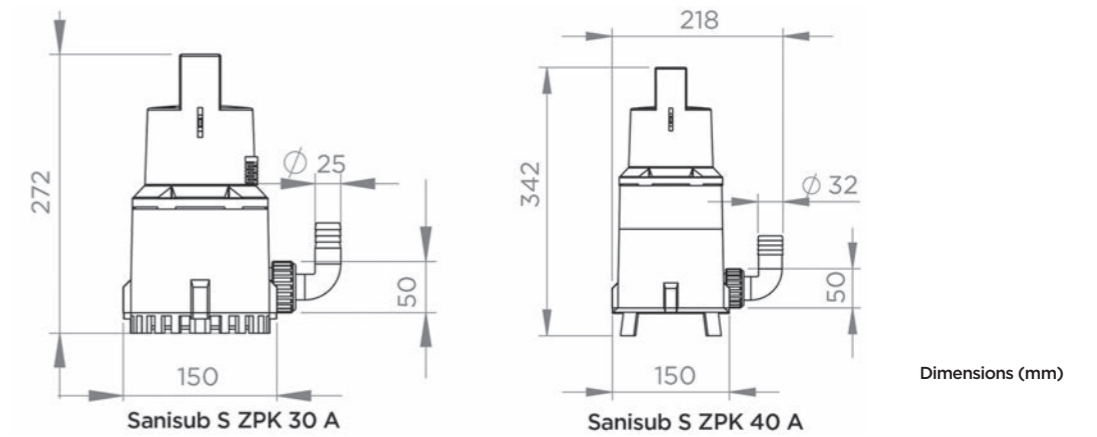
Sanisub S ZPK pump, 90° connection bend (30 A DN 25, 40 A DN 32), non-return valve, supply cable



CURVE



DIMENSIONS



	Sanisub S ZPK 30 A	Sanisub S ZPK 40 A
Material		
Shaft	Stainless steel	Stainless steel
Pump housing	PP GF	PP GF
Waterproofing	Viton	Viton
Motor housing	Stainless steel	Stainless steel
Impeller	PA 6 GF	PA 6 GF
Electrical features		
Voltage (V)	230	230
Frequency (Hz)	50-60	50-60
Power consumption P1 (W)	300	850
Power output P2 (W)	130	430
Revolutions per minute (RPM)	2800	2800
Electrical class	I	I
Immersion depth (m)	5	5
Power cable: length (m)	10	10
Hydraulics		
Max. head (m)	7.5	10
Max. flow rate (m ³ /h)	7	10
Discharge diameter DN	25	32
Particle size (mm)	10	30
Max. temperature of the pumped liquid (5 min)	90°C	90°C
Type of impeller	Multi-channel	Multi-channel
Type of activation	Float	Float
Identification and logistics		
Gross weight (kg)	4.48	6.43
Barcode	3308815083209	3308815083216
Product code	22048	22049