

Sanicubic 2 GR

Grey water, black water

The Sanicubic 2 GR station is designed for the lifting of waste water from larger single dwellings, apartment blocks, and commercial buildings such as train stations, cinemas, restaurants etc. This station is equipped with 2 pumps with Pro X K3 grinder technology, which are activated simultaneously in case of a large water surge. Sanicubic 2 GR is available in 4 versions with different lifting performances. It has 5 inlets of different diameters.

The station comes with a pneumatically controlled control box including an audible and visual alarm.



PERFORMANCE

- Total head : 39 m
- Max. flow rate : 17 m³/h

PRODUCT BENEFITS

- Floor standing installation
- Easily accessible for maintenance
- 3 inlets DN 100, 2 inlets DN 50
- 150 litre tank
- 4 pump versions in three phase available
- Includes non-return valve and outlet flange



Grinder Pro X K3



DELIVERED AS STANDARD



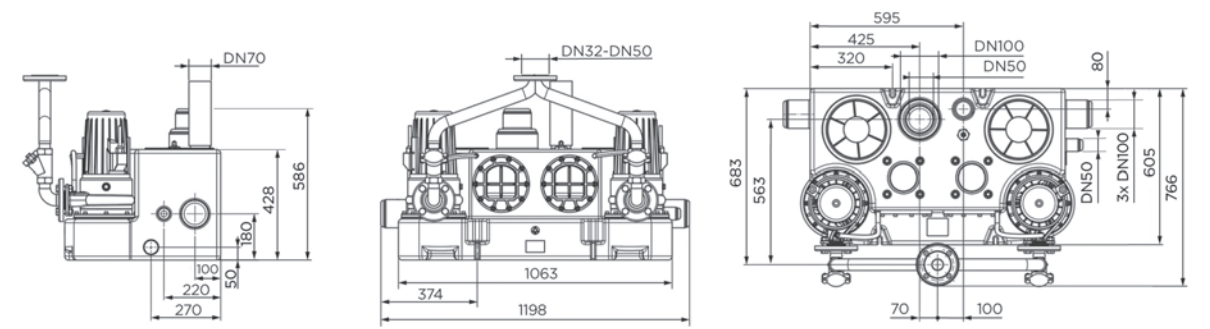
ZPS control boxes – two-pump versions

OPTIONAL EXTRAS



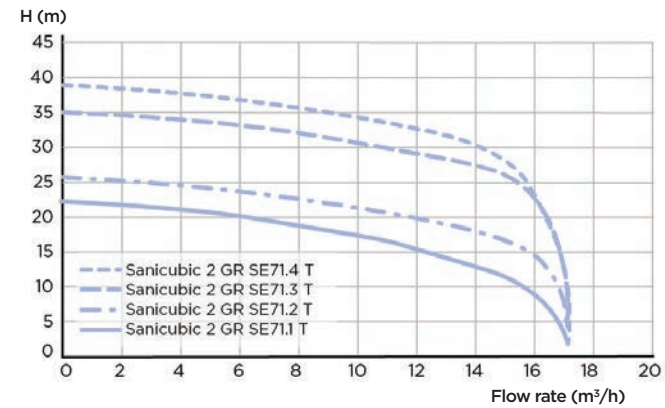
Sanicubic carbon filter
Product code: 1108
Barcode: 3308815077529

DIMENSIONS

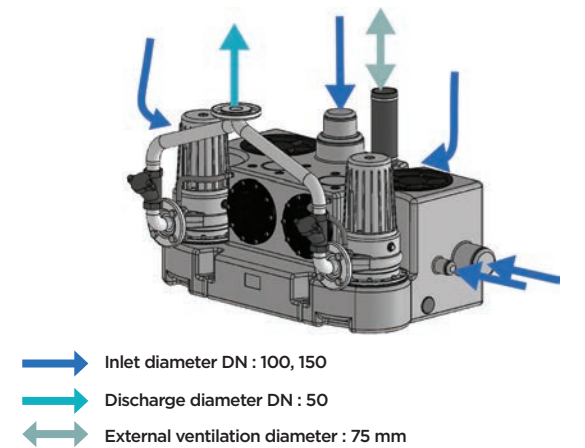


Dimensions (mm)

CURVE



CONNECTIONS



	Sanicubic 2 GR SE71.1 T	Sanicubic 2 GR SE71.2 T	Sanicubic 2 GR SE71.3 T	Sanicubic 2 GR SE71.4 T
Type of control box	ZPS 2 case	ZPS 2 case	ZPS 2 case	ZPS 2 case
Material				
Tank	LDPE	LDPE	LDPE	LDPE
Pump housing	GG-20	GG-20	GG-20	GG-20
Motor housing	GG-20	GG-20	GG-20	GG-20
Impeller	GG-20	GG-20	GG-20	GG-20
Electrical features				
Voltage (V)	400	400	400	400
Frequency (Hz)	50-60	50-60	50-60	50-60
Power consumption P1 (W)	2100	2100	3900	3900
Power output P2 (W)	1700	1700	3200	3200
Mode of operation	S3 25%	S3 25%	S3 25%	S3 25%
IP rating	IP68	IP68	IP68	IP68
Hydraulics				
Max. head (m)	22	25	35	39
Max. flow rate (m ³ /h)	17	17	17	17
Inlet diameter DN	100, 150	100, 150	100, 150	100, 150
Discharge diameter DN	50	50	50	50
External ventilation diameter (mm)	75	75	75	75
Total volume (L)	150	150	150	150
ON level /OFF level (mm)	140-250/30	140-250/30	140-250/30	140-250/30
Alarm level (mm)	180-290	180-290	180-290	180-290
Max. temperature of the pumped liquid (5 min)	55°C	55°C	55°C	55°C
Type of impeller	Pro X K3 grinder	Pro X K3 grinder	Pro X K3 grinder	Pro X K3 grinder
Type of activation	pneumatic	pneumatic	pneumatic	pneumatic
Identification and logistics				
Gross weight (kg)	137	137	144	144
Barcode	3308815079165	3308815079172	3308815079189	3308815079196
Product code	21522	21523	21524	21334