

Sanifos 280

Grey water, black water

The Sanifos 280 is a lifting station designed to lift the waste water from a larger household: WC, sink, washing machine etc. It consists of a 280 litre tank and a pump with float switch. It is available in 2 different pump versions: grinder with Pro X K2 technology or vortex. Sanifos 280 comes with its own pipework with shut-off valve and non-return valve and the bottom of the tank is self-cleaning. A 30 cm extension is available as an option.



PERFORMANCE

- Total head: 14 m
- Max. flow rate: 26 m³/h

DEPENDING ON MODEL

PRODUCT BENEFITS

- Easy installation: preassembled elements
- 3 drilling zones available for incoming water connections
- 2 pump versions: grinder or vortex
- Automatic operation
- Bottom of the tank is self-cleaning
- Non-return valves and shut-off valves included



DELIVERED AS STANDARD



- Tank with pre-assembled hydraulics, isolation valve and non-return valve, Sanipump GR or VX, handling chain, IP68 terminal block, cable gland



Sanipump GR S



Sanipump VX S



Pro X K2 grinder



Vortex

OPTIONAL EXTRAS (SEE ACCESSORIES PAGES)

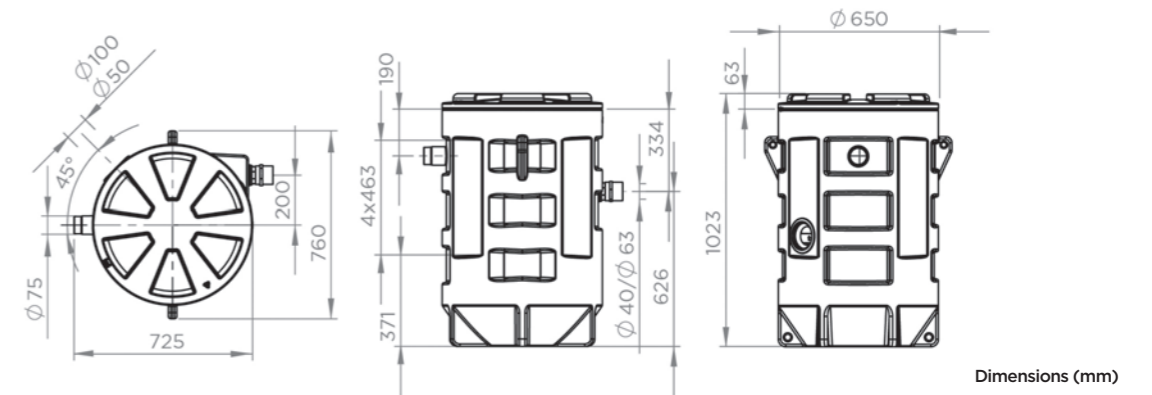
Sanifos 280 extension
Barcode: 3308815081298
Product code: 40502



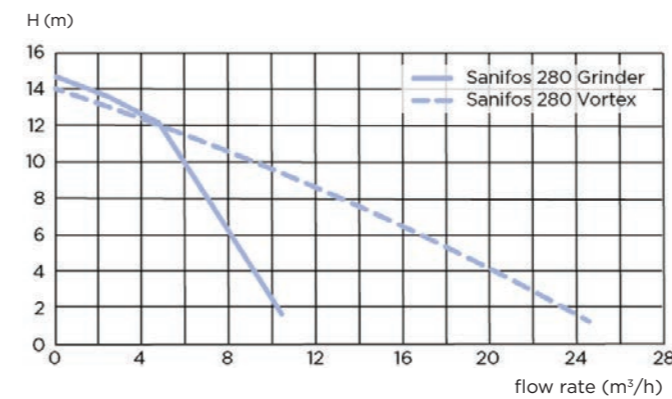
Sanifos alarm for 1 pump versions if required
Barcode: 3308815081625
Product code: 40501



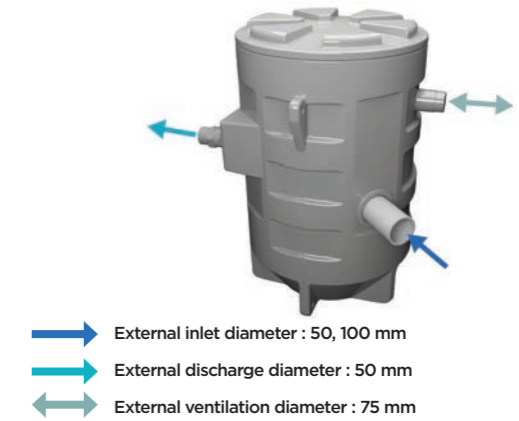
DIMENSIONS



CURVE



CONNECTIONS



| | Sanifos 280 1GR S | Sanifos 280 1VX S |
|--|-------------------|-------------------|
| Number of pumps | 1 | 1 |
| Material | | |
| Tank | PE | PE |
| Pipework | PVC | PVC |
| Electrical features | | |
| See electrical features for pump on page 88 | | |
| Hydraulics | | |
| Max. head (m) | 14 | 13 |
| Max. flow rate (m ³ /h) | 15 | 26 |
| External inlet diameter (mm) | 50, 100 | 50, 100 |
| External discharge diameter (mm) | 50 | 63 |
| External ventilation diameter (mm) | 75 | 75 |
| Total volume (L) | 280 | 280 |
| Min. incoming water connection (mm) | 180 | 180 |
| Max. incoming water connection (mm) | 585 | 585 |
| Max. incoming water connection if option is available (mm) | 885 | 885 |
| Type of impeller | Pro X K2 grinder | vortex |
| Type of activation | float | float |
| Identification and logistics | | |
| Gross weight (kg) | 55 | 55 |
| Barcode | 3308815083117 | 3308815081304 |
| Product code | 40001 | 40002 |