

Sanifos 110

Grey water, black water

The Sanifos 110 is a compact lifting station designed to lift waste water from an individual house: WC, sink, washing machine etc. This makes it an ideal unit for a garden room or home office which has a WC. Equipped with a grinder pump, it is operated by a float switch for automatic operation. Sanifos 110 comes with pre-mounted pipework and a cable gland for the motor cable outlet and the bottom of the tank is self-cleaning. Its 4 inlets of different diameters allow for flexible installation.



PERFORMANCE

- Total head: 14 m
- Max. flow rate: 15 m³/h

PRODUCT BENEFITS

- Complete solution
- Easy installation: pre-assembled elements
- Pro X K2 grinder system
- 4 inlets
- Easy access to the pump with screw-on pedestrian cover
- Automatic pump operation
- Optional discharge kit available



DELIVERED AS STANDARD

- Tank with pre-assembled hydraulic and sealing gasket, 1 Sanipump GR, PVC pipe, pedestrian cover



Sanipump GR S



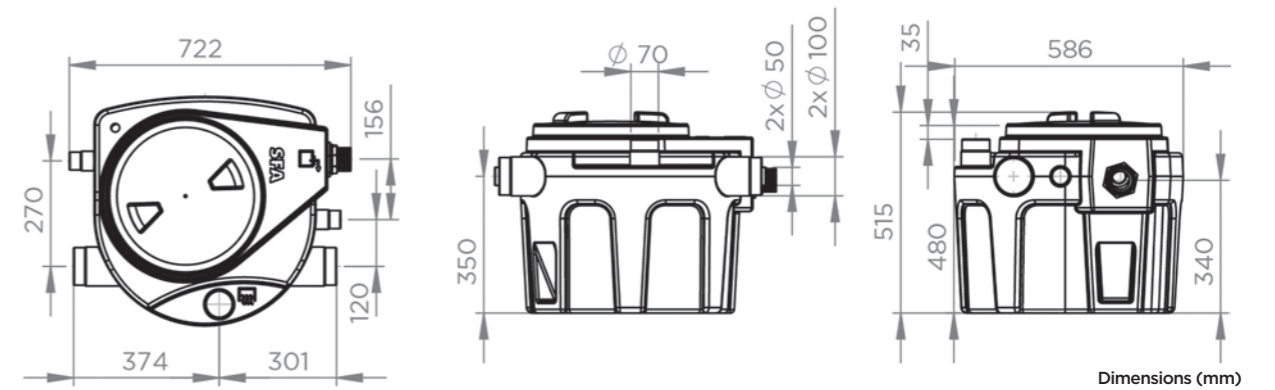
Pro X K2 grinder

OPTIONAL EXTRAS (SEE ACCESSORIES PAGES)

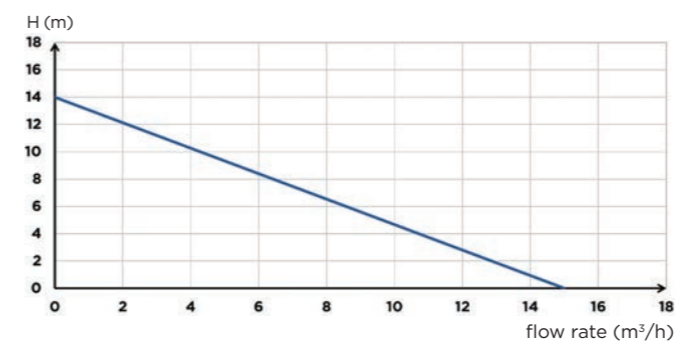


Sanifos 110 evacuation kit
Barcode: 3308815077024
Product code: 40500

DIMENSIONS



CURVE



CONNECTIONS



	Sanifos 110
Number of pumps	1
Material	
Tank	PE
Pipework	PVC
Electrical features	
See electrical features for pump on page 88	
Hydraulics	
Max. head (m)	14
Max. flow rate (m ³ /h)	11
External inlet diameter (mm)	40, 50, 100, 110, 125
External discharge diameter (mm)	50
External ventilation diameter (mm)	75
Total volume (L)	110
Useable volume (L)	38
ON level /OFF level (mm)	320/120
Min. incoming water connection (mm)	182
Type of impeller	Pro X K2 grinder
Type of activation	float
Identification and logistics	
Gross weight (kg)	40
Barcode	3308815079318
Product code	40000