

Sanifloor +



3 m
30 m



PRODUCT BENEFITS

- Wireless communication between pump and waste
- Easy maintenance: removable and cleanable hair drain
- Simple maintenance: replaceable detection module

FUNCTIONING PRINCIPLES

The water entering the gully automatically activates the pump using an internal drain detection system. The water is then sucked up and pumped towards the main pipe.

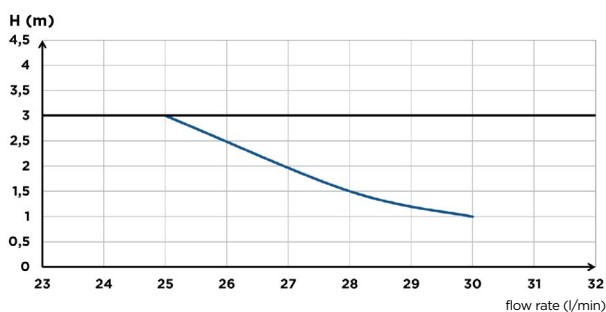
TECHNICAL FEATURES

	Sanifloor+ 1	Sanifloor+ 2	Sanifloor+ 3	Sanifloor+ 4
Number of inlets	1			
External inlet diameter	16 mm			
Discharge diameter ext.	32 mm			
Voltage / Frequency	220-240 V / 50-60 Hz			
Motor power	400 W			
IP Rating	IP44			
Electrical class	I			
Identification and logistics				
Gross weight	8 kg			8.5 kg
EAN code	3308815076232	3308815076249	3308815076164	3308815076256
Product code	6154	6155	6156	6158

PACK CONTAINS

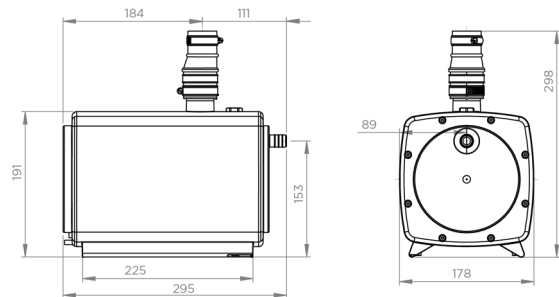
Sanifloor + pump and waste, non-return valve, floor fixings, 3 m steel spiral hose

CURVE



— recommended max height: 3 m

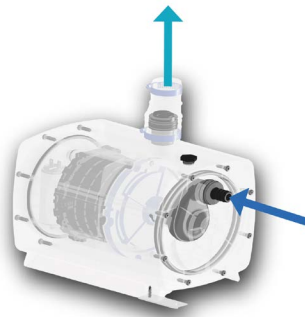
DIMENSIONS



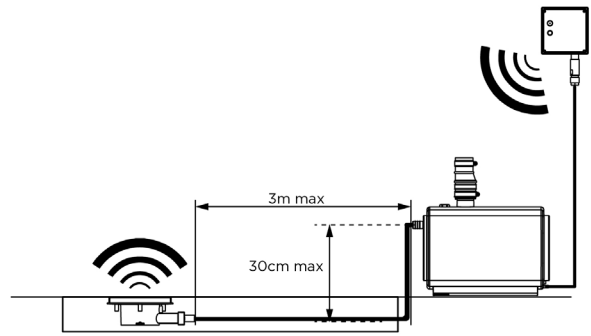
CONNECTIONS

← Discharge diameter ext. : 32 mm

→ External inlet diameter : 16 mm

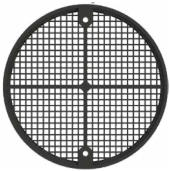


INSTALLATION DIAGRAM



Sanifloor+ 1

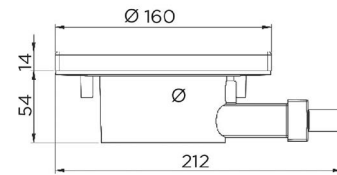
For tiled floors



Removable hair drain



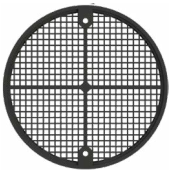
Barcode: 3308815076232



Product code: 6154

Sanifloor+ 2

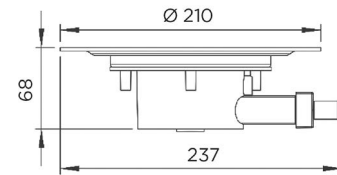
For vinyl floors



Removable hair drain



Barcode: 3308815076249



Product code: 6155

Sanifloor+ 3

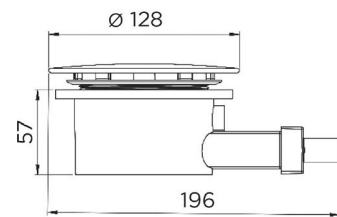
For shower trays



Removable hair drain



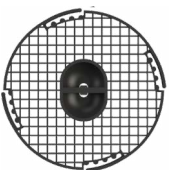
Barcode: 3308815076164



Product code: 6156

Sanifloor+ 4

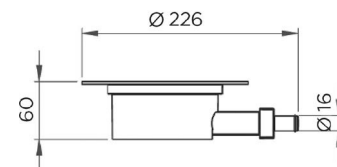
For Wedi® former for tiling



Removable hair drain



Barcode: 3308815076256



Product code: 6158