

SANISHOWER® FLAT

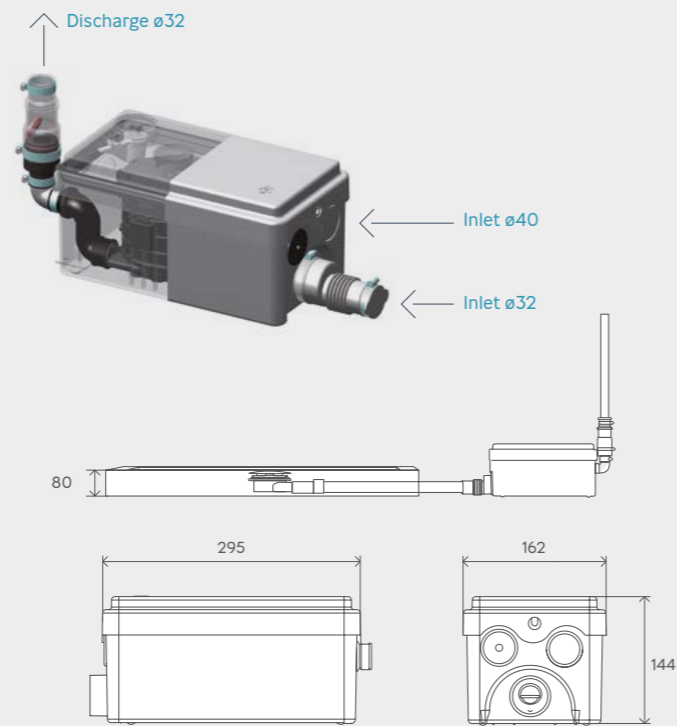
Product Ref: 1043/3

Ideal pumping solution for a low level shower tray. Capable of pumping a standard electric or gravity mixer shower. Two inlets mean a wash basin can be added too.

Why choose this product?

- Suits low-level shower trays of 80mm and over
- Overcomes gravity drainage issues
- Allows basement showers
- Additional inlet for basin
- Two part kit with Sanishower + pump plus gully and waste
- Low level activation

Vertical/horizontal performance



Discharge Pipework
22 / 32mm

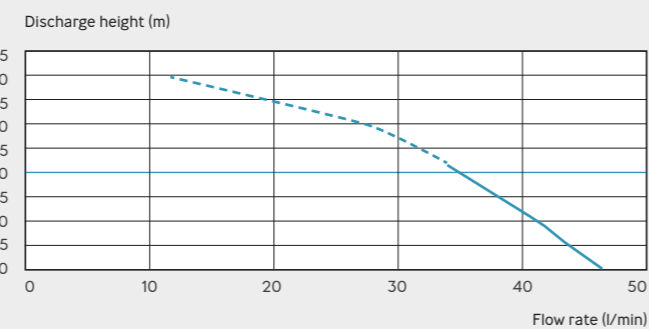
Motor Power
250 Watts

Voltages
220-240 V/50 Hz

Working Waste Water Temp
35°C

Product Weight
3.7kg

IP Rating
IP44



SANIFLOOR®

Product Ref: 1154/1155/1156

Designed specifically where floor drainage is required but where space underneath is very limited e.g. wet rooms. This two part kit with a powerful shower waste pump and a choice of three waste designs can pump up to 3m vertically as well as 30m horizontally. Higher flow rate means it can be used with powerful 'rain head' showers.



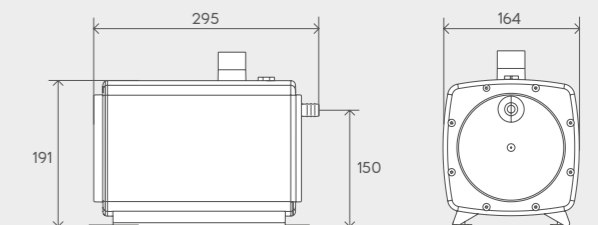
Gully Types

- 1 Ref 1154: With shower waste for tiled floor - Height 68mm
- 2 Ref 1155: With shower waste for vinyl floor - Height 68mm
- 3 Ref 1156: With shower waste for trays - Height 63mm

Why choose this product?

- Suits wet rooms and low level shower trays
- Ideal for high flow applications
- Pump and waste inlet can be up to 3m apart horizontally
- Dual function - sucks waste up from the gully and pumps waste water away up to 3m vertically or 30m horizontally
- Pump can be sited up to 300mm above the gully
- All gully types are 90mm in diameter

Vertical/horizontal performance



Discharge Pipework
32 mm

Motor Power
400 Watts

Voltages
220-240 V/50 Hz

Working Waste Water Temp
35°C

Product Weight

Sanifloor 1 - 7.9kg
Sanifloor 2 - 7.9kg
Sanifloor 3 - 7.7kg

IP Rating
IP44

