

Product Ref: 1046/1

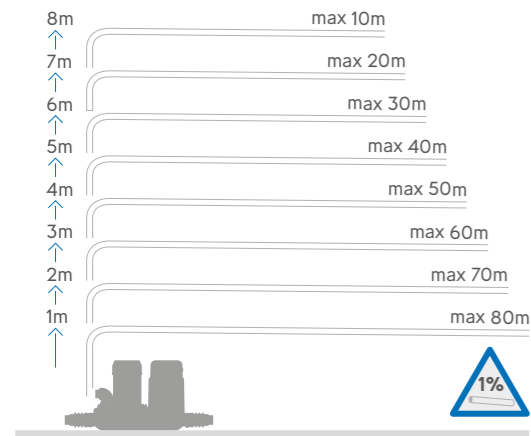
Sanicom® 1 is an automatic, powerful lifting station for grey water used in busy commercial environments. Suitable for multiple connections including a basin, bath, shower, bidet, sink, dishwasher and washing machine.



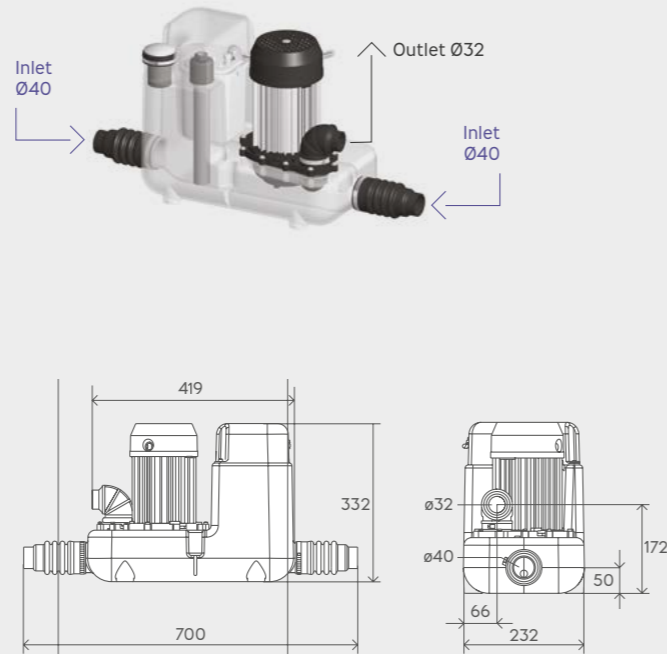
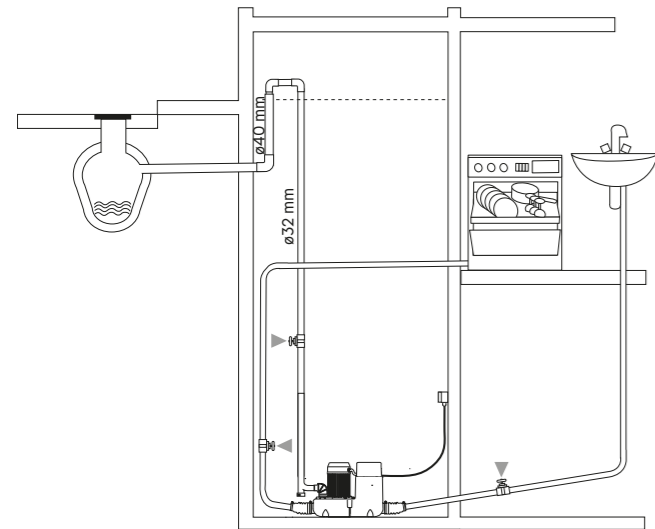
Why choose this product?

- Ideal for commercial applications e.g. cleaning and catering sinks
- Heavy duty, safe, reliable pump
- Unit operates automatically
- Two 40mm side entries and air vent/connection to exterior
- Working temperature of 35°C
- Will handle up to 90°C for short periods

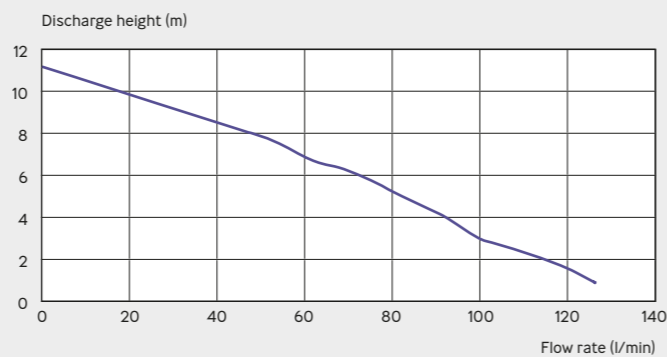
Vertical/horizontal performance



Connection to soil and vent pipe or drain



Discharge Pipework 32mm	Working Waste Water Temp 35°C/Max 90°C (intermittent)
Motor Power 750 Watts	Product Weight 12kg
Voltages 220-240 V/50 Hz	Inlet Pipework 40mm
Tank Volume 10L	IP Rating IP44



Product Ref: 1046/2

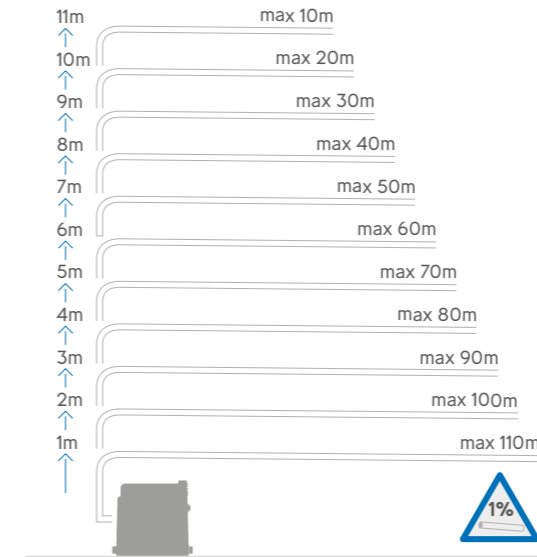
Identical to Sanicom® 1 but features two powerful motors where the second motor is a failsafe back-up to ensure that you always have continuity of service for your business.



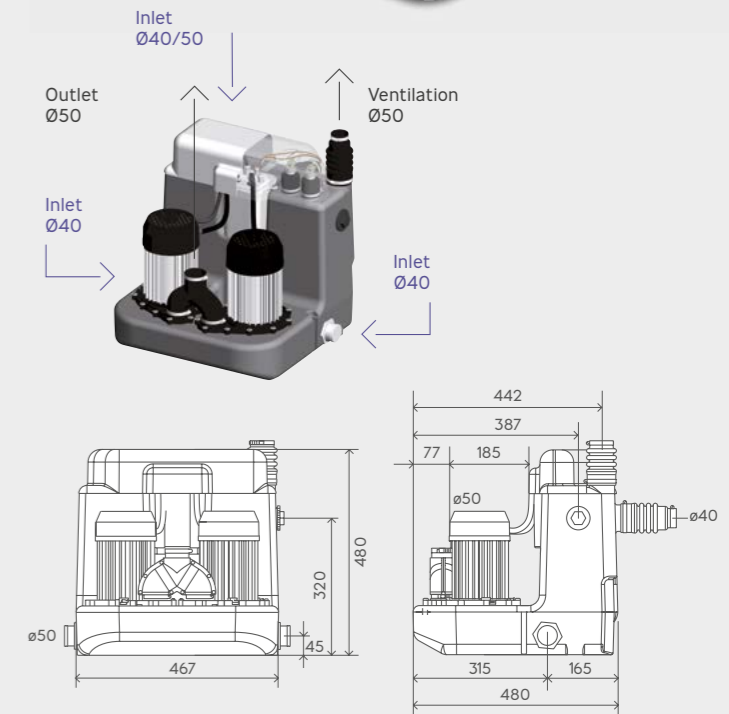
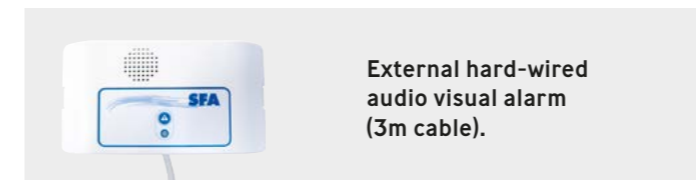
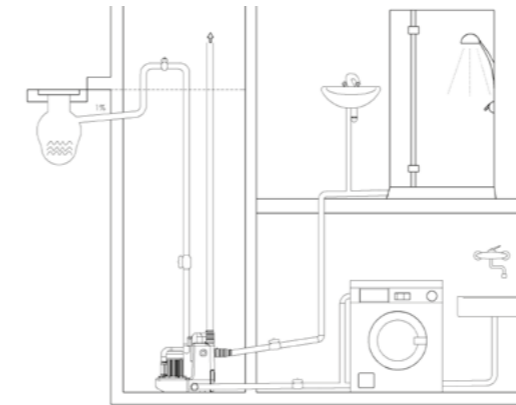
Why choose this product?

- Ideal for heavy commercial applications
- Safe, reliable pump plus backup motor
- Unit operates automatically
- Two 40mm side entries and air vent/connection to exterior
- Working temperature of 35°C
- Will handle up to 90°C for short periods
- External hard-wired alarm

Vertical/horizontal performance



Connection to soil and vent pipe or drain



Discharge Pipework 50mm	Working Waste Water Temp 35°C/Max 90°C (intermittent)
Motor Power 1500 Watts x 2	Product Weight 26kg
Voltages 220-240 V/50 Hz	Inlet Pipework 40 / 50mm
Tank Volume 34.5L	IP Rating IP44

