

Product Ref: 6045

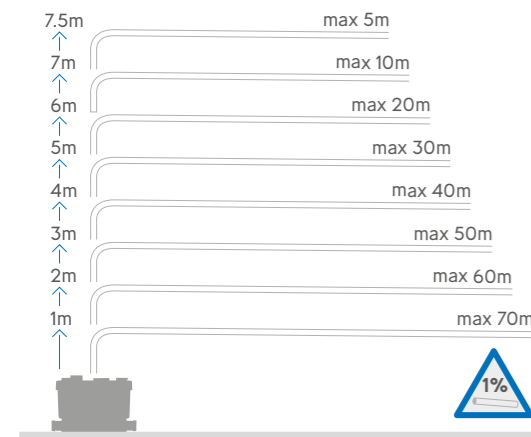
Ideal for light commercial environments such as small shops, cafés, offices, bars and dental surgeries where grey waste water needs to be disposed of. Sanispeed®+ deals with grey water from a shower, basin, bath, bidet, washing machine, dishwasher and sink.



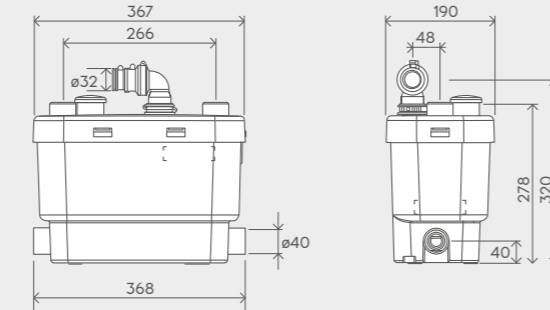
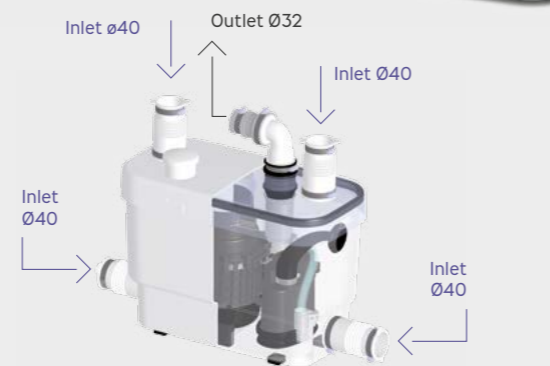
Why choose this product?

- Ideal for light commercial applications
- Low activation level (95mm)
- Robust motor
- Four inlets – two side entries and two cover entries
- Working temperature of 35°C.
- Will handle up to 75°C for short periods
- Meets European standard EN12050-2
- Carbon filter included to neutralise odours

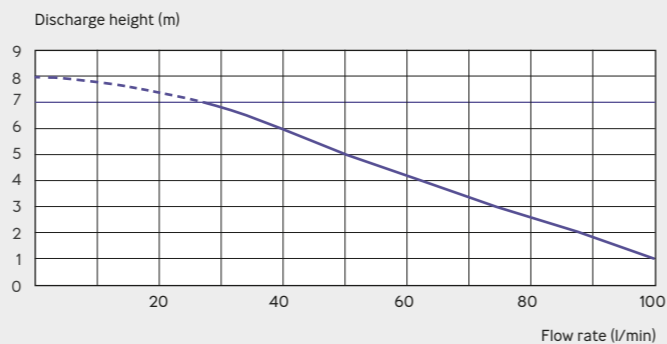
Vertical/horizontal performance



5 YEAR WARRANTY
Up to 5 years warranty
See page 27 of 'Pumps and Macerators' section



Discharge Pipework 32mm	Product Weight 6.4kg
Motor Power 400 Watts	Inlet Pipework 40mm
Voltages 220-240 V/50 Hz	IP Rating IP44
Working Waste Water Temp 35°C/Max 75°C (intermittent)	



NEW

Product Ref: 1053

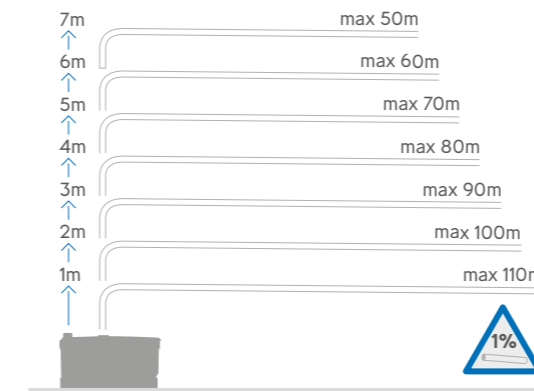
Sanibest® Pro is a heavy duty macerator suitable for heavy usage public or commercial environments. Handles connection to a WC, basin, bidet and shower.



Why choose this product?

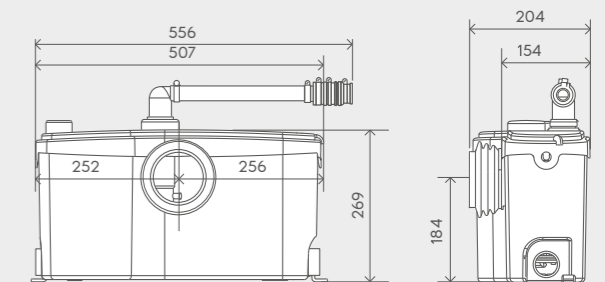
- Ideal for heavy usage applications
- Three inlets – two side entries and one cover entry
- Working temperature of 35°C
- Meets European standard EN12050-3

Vertical/horizontal performance



Cover allows easy access to electronic components

Robust blade suitable for heavy usage



Discharge Pipework 32mm	Product Weight 35kg
Motor Power 1100 Watts	Inlet Pipework 40mm
Voltages 220-240 V/50 Hz	IP Rating IP44
Working Waste Water Temp 35°C	

