

Sanicubic 1

Grey water, black water

The Sanicubic 1 lifting station is designed for use in a single property (house, small commercial premises) and collects all waste water from toilets, bathrooms, kitchens and laundry rooms. The unit uses the Pro X K2 grinding technology and removes waste water through 50 mm diameter discharge pipe.



PERFORMANCE

- Max. head : 13 m
- Max. flow rate : 15 m³/h

PRODUCT BENEFITS

- Floor standing so easy to install
- Easy access for maintenance
- 4 inlets, 2 of which are side inlets
- Less chance of clogging due to Pro X K2 grinder technology
- Discharge in 50 mm ext. pipe
- Maximum temperature of incoming waste water: 70°C (max 5 mins)



See page 10



DELIVERED AS STANDARD



Remote wired audible and visual alarm unit (5m)

OPTIONAL EXTRAS



Isolation valve
DN50 shut-off valve
Product code: 1109

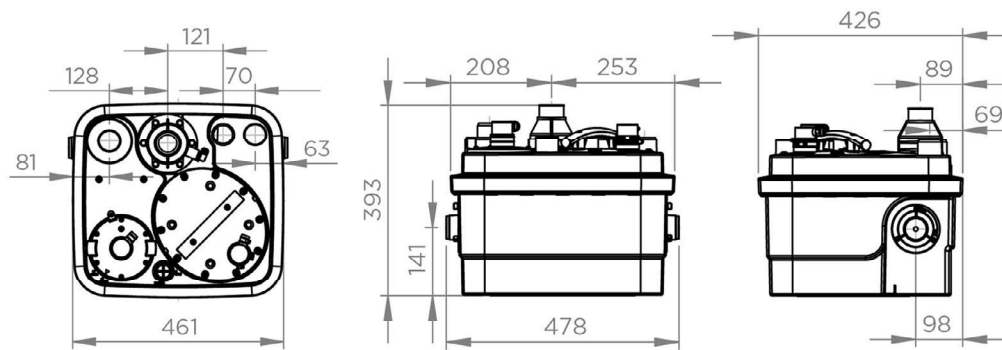


Isolation valve
DN100 shut-off valve
Product code: 1107/1

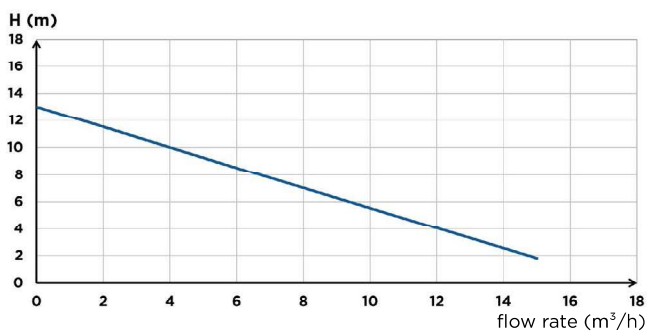


Sanicubic carbon filter
Product code: 1108
Barcode: 3308815077529

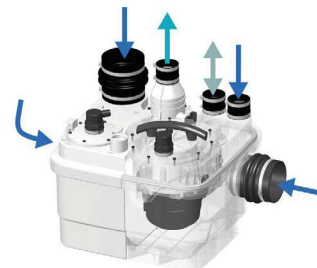
DIMENSIONS



CURVE



CONNECTIONS



- External inlet diameter : 40/50/100/110 mm
- Discharge diameter ext. : 50 mm
- Ext. ventilation diameter : 50 mm

	Sanicubic 1
Material	
Tank	PP
Pump housing	PA 12 GF
Motor housing	PA 12 GF
Impeller	PP GF
Electrical features	
Voltage (V)	230
Frequency (Hz)	50-60
Power consumption P1 (W)	1500
Power output P2 (W)	1050
Mode of operation	S3 30 %
IP rating	IP68
Hydraulics	
Max. head (m)	13
Max. flow rate (m ³ /h)	15
External inlet diameter (mm)	40/50/100/110
Discharge diameter ext. (mm)	50
Ext. ventilation diameter (mm)	50
Total volume (L)	32
Useable volume (L)	10
ON level /OFF level (mm)	140/70
Alarm level (mm)	210
Max. temperature of the pumped liquid (5 min)	70°C
Type of impeller	Pro X K2 grinder
Type of activation	pneumatic
Identification and logistics	
Gross weight (kg)	23
EAN code	3308815074429
Product code	30006